

FAREAST 19R



RETAIL PRICE 2023

Design	Simonis -Voogd	Loaded Displacement	1051kg		2.08 m
Length Overall Approx	5,91 m	Downwind	42m ²	}	7.34 m
Length of Hull	5,65 m	Upwind	22m ²		P
Length waterline	5,64 m	CE	Class C	E	2.50 m
Beam	2,22 m				
Draft max	1,2 m				

CONSTRUCTION

HULL

Vacuum infused sandwich hull with isopolyester resin
White hull
Powerful inner structure distributes all loads from keel and rigging

KEEL

1.2Mt lifting T- shaped keel with carbon fin, lead bulb

RUDDER

Carbon rudder and tiller, tiller extension

DECK

Sandwich build deck with anti-slip surface Re-inforced laminate plates at mounting positions of deck fittings

INTERIOR

Interior is built with fiberglass

WATER SYSTEM

Manual bilge pump in cockpit

ROAD TRAILER

Single axle galvanized trailer

MAST AND RIGGING

MAST

Selden aluminium mast, mast foot,
1 set of swept spreaders
Selden boom with outhaul
1 reefing line
Vang system with Harken cleats and blocks

STANDING RIGGING

Selden S/S standing rigging
Selden forestay

RUNNING RIGGING

1 Main halyard
1 Jib halyard
1 Gennaker halyard
1 Cunningham line
1 Outhaul line

BOW SPRIT

Retractable bow sprit in ALU
Cam cleat for tack line and launching system mounted to starboard of cabin

SAILS

Main – ZZ Blackpolyester
Jib – ZZ Black polyester
Asymmetric – Nylon 0.75

DECK

MAIN SAIL

Harken adjustable mainsheet traveller with 2:1 control line and cam cleats
Harken 4:1 mainsheet system leading to ratchet block and cam mounted on swivel base.
1 main sheet

JIB

2 Harken Jib T-tracks with cars
2:1 Jib sheet system
2 Harken cleats and turning block
2 Jib sheets

GENNAKER

2 Harken blocks aft
2 Harken Ratchmatic turning block
2 Harken cam cleats
Gennaker sheet
Gennaker drop bag

GUARD RAIL

Four low height SS stanchions and two SS stern rails at transom corners.
SS life lines

MISCELLANEOUS

Owner's manual
Outboard engine bracket max.20kg
Companion way cover
Boat & rudder cover

FAREAST 19R

PRICELIST 2023

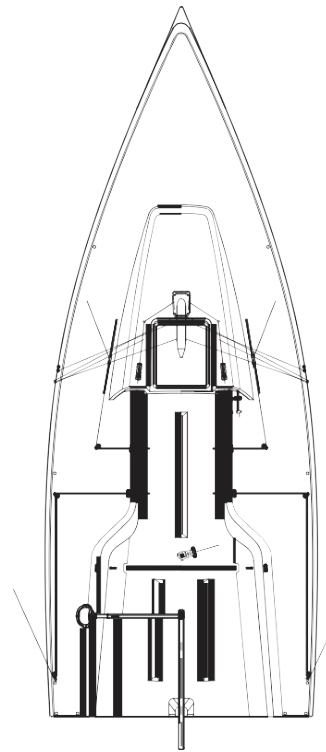
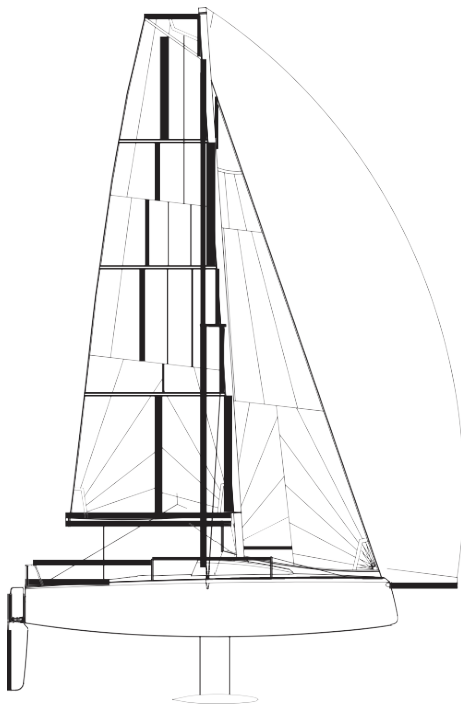
PACKAGE PRICE

£29,950 inc vat

Includes FE19R boat package – on previous page

Rudder cover
Boat cover
Mooring pack, 4 fenders + 4 mooring lines
Keel lifting system
Sails
 Main – ZZ Blackpolyester
 Jib – ZZ Black polyester
 Asymmetric – Nylon 0.75
Trailer – single axle galvanized trailer

Delivered to the UK (Cowes) and commissioned – excluding crane or yard costs



FAREAST 19R

